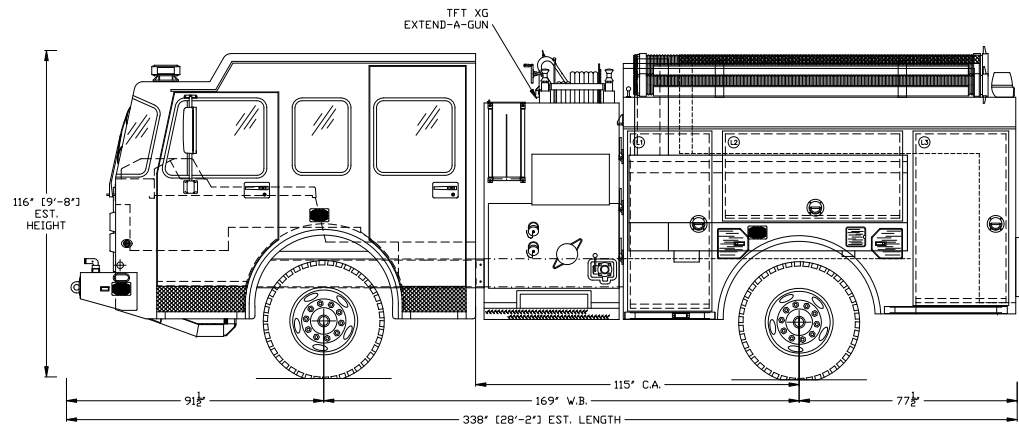
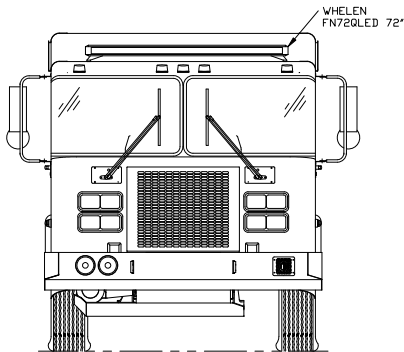
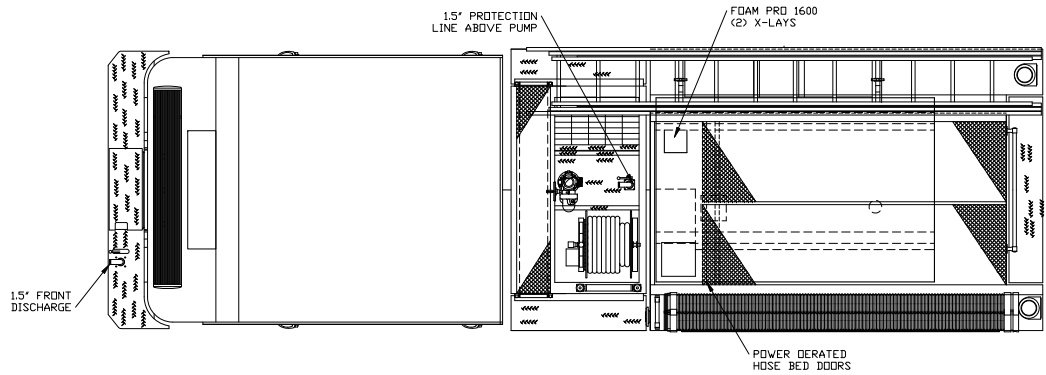


GROUND LADDERS & PIKE POLES			
ITEM	LADDER LENGTH	MODEL	QTY
A	35' 3 SEC	1225A	1
B	14' ROOF	775A	1
C	10' ATTIC	585A	1
D	PIKE POLES		2
E			
F			
G			
H			
I			

COMP.	OPENING	UPPER DEPTH	LOWER
L1/R1	28W X 60.5H	14.25	24.75
L2	62W X 29H	14.25	N/A
L3/R3	32W X 58.5H	14.25	24.75
T1	44W X 34H	21	21
R2	36W X 29H	14.25	N/A
INTERMEDIATE DIVIDE HEIGHT			
L1/R1	26.5	L3/R3	24.5



**NOTE:**  
UNSPECIFIED DECKGUNS WILL NOT BE INCLUDED IN THE OVERALL HEIGHT OF THE VEHICLE. THE ADDITION OF A DECKGUN MAY INCREASE THE OVERALL HEIGHT OF THE VEHICLE.

**NOTE:**  
DIMENSIONS SHOWN ARE APPROXIMATE AND ARE SUBJECT TO CHANGE AS MAY BE FOUND NECESSARY DURING CONSTRUCTION. MINOR DETAILS MAY NOT BE SHOWN.

PUMP: WATEROUS 2000 GPM  
AUX. PUMP: WATEROUS ES11-A  
TANK: POLY 700 GAL W/4" OVERFLOW  
FOAM: 30 GAL CELL  
BODY: ALUMINUM  
HOSE BED: 100 CUBIC FEET  
COMPARTMENTS: 182 CUBIC FEET  
CHASSIS: SPARTAN MFD METRO STAR  
EMS COMPARTMENT: EMS FOOT LOCKER  
MAP BOX: NONE

Date	Approval Signatures	Revisions
	DEALER	
	FIRE CHIEF	
	SALES AD.	
	PRODUCTION	
	ENGINEERING	

SMEAL  
SNYDER, NEBRASKA

SMEAL FIRE APPARATUS SNYDER, NE 68664			
FTHQ DEMO OAKLAND, CA.		Scale: 3/8"=1'	Material:
Drawn by: JAW	Date: 1/11/08		Drawing No: 3601
18 x 24	SD		

THE DRAWING IS FOR REFERENCE PURPOSES ONLY. SOME ITEMS MAY OR MAY NOT APPEAR ON THE DRAWING THAT MAY OR MAY NOT BE INCLUDED IN THE SPECIFICATIONS. SPECIFICATIONS SHALL BE THE FINAL AUTHORITY TO BE DETERMINED WHAT IS SUPPLIED ON THE APPARATUS.