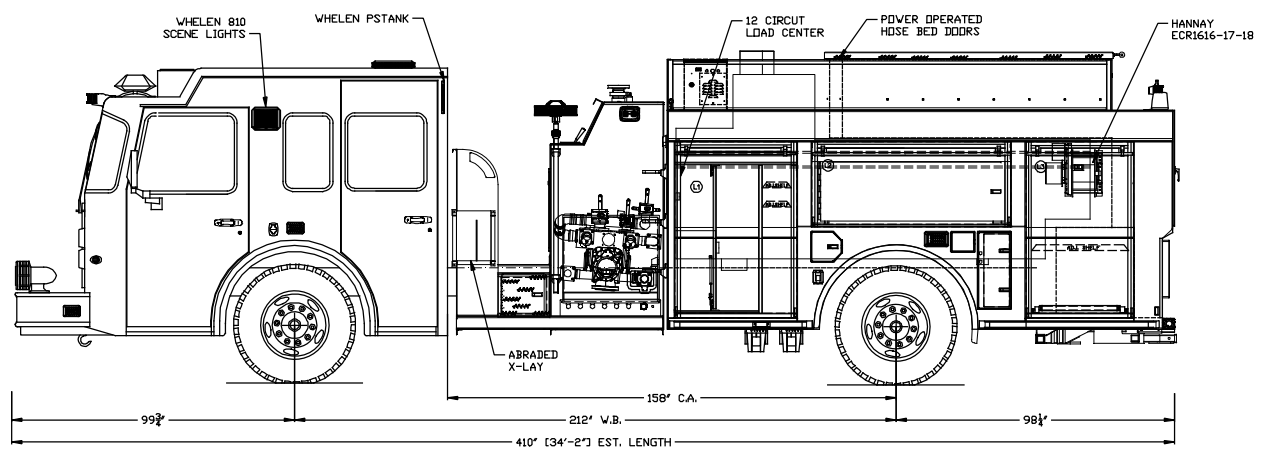
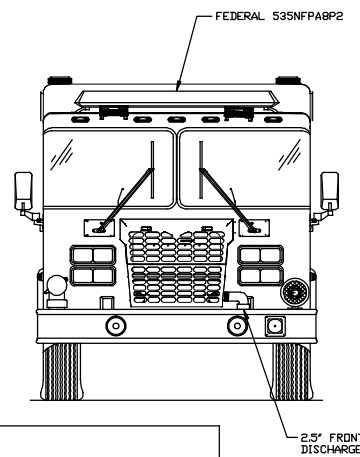
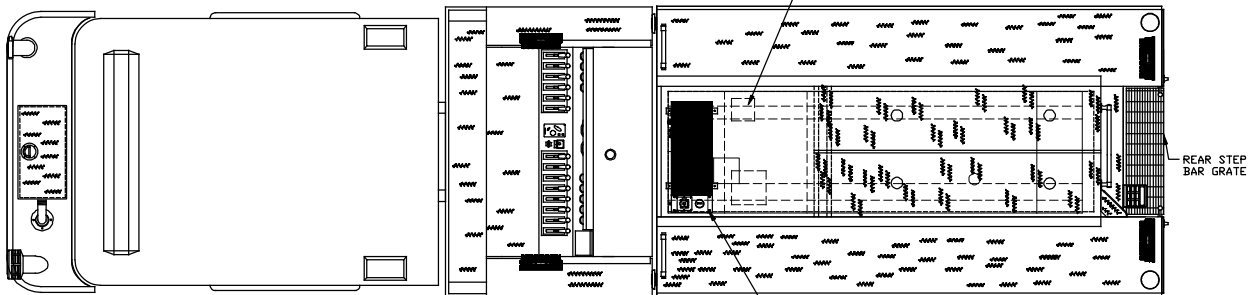


GROUND LADDERS & PIKE POLES			
ITEM	LADDER LENGTH	MODEL	QTY
A	24' 2 SEC	900A	1
B	16' RDOF	875A	1
C	10' ATTIC	585A	1
D	PIKE POLES		2
E			
F			
G			
H			
I			

COMPT.	OPENING	UPPER DEPTH	LOWER
L1	40W X 55.5H	25.75	25.75
L2	67W X 24H	25.75	N/A
L3	35W X 55.5H	25.75	25.75
R1	40W X 55.5H	16.25	25.75
R2	67W X 24H	N/A	25.75
R3	35W X 55.5H	16.25	25.75
T1	29W X 21H	N/A	25
INTERMEDIATE DIVIDE HEIGHT			
	R1 R3	26.5	



NOTE:
UNSPECIFIED DECKGUNS WILL NOT BE INCLUDED IN THE OVERALL HEIGHT OF THE VEHICLE. THE ADDITION OF A DECKGUN MAY INCREASE THE OVERALL HEIGHT OF THE VEHICLE.

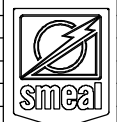
NOTE:
DIMENSIONS SHOWN ARE APPROXIMATE AND ARE SUBJECT TO CHANGE AS MAY BE FOUND NECESSARY DURING CONSTRUCTION. MINOR DETAILS MAY NOT BE SHOWN.

THE DRAWING IS FOR REFERENCE PURPOSES ONLY. SOME ITEMS MAY OR MAY NOT APPEAR ON THE DRAWING THAT MAY OR MAY NOT INCLUDED IN THE SPECIFICATIONS. SPECIFICATIONS SHALL BE THE FINAL AUTHORITY TO BE DETERMINED WHAT IS SUPPLIED ON THE APPARATUS.

PUMP: HALE 1250 GPM
TANK: POLY 1000 GAL W/4" OVERFLOW
FOAM: 30 GAL CELL
BODY: ALUMINUM
HOSE BED: 70 CUBIC FEET
COMPARTMENTS: 228 CUBIC FEET
CHASSIS: SPARTAN MFD METRO STAR
MAP BOX 740-0984
EMS COMPARTMENT 740-1693

FINAL APPROVAL

Date	Approval Signatures	Revisions
	DEALER	
	FIRE CHIEF	
	SALES AD.	
	PRODUCTION	
	ENGINEERING	



Revisions	Scale	Material
DDD 03-01-11	3/8"=1'	
SMEAL FIRE APPARATUS SNYDER, NE 68664		
PAWNEE FIRE PRO. DIST. PAWNEE, IL.		
Drawn by: JAW	Date: 11/15/10	Drawing No: 4015
18 x 24	SD	

WE BUILD RESPECT.